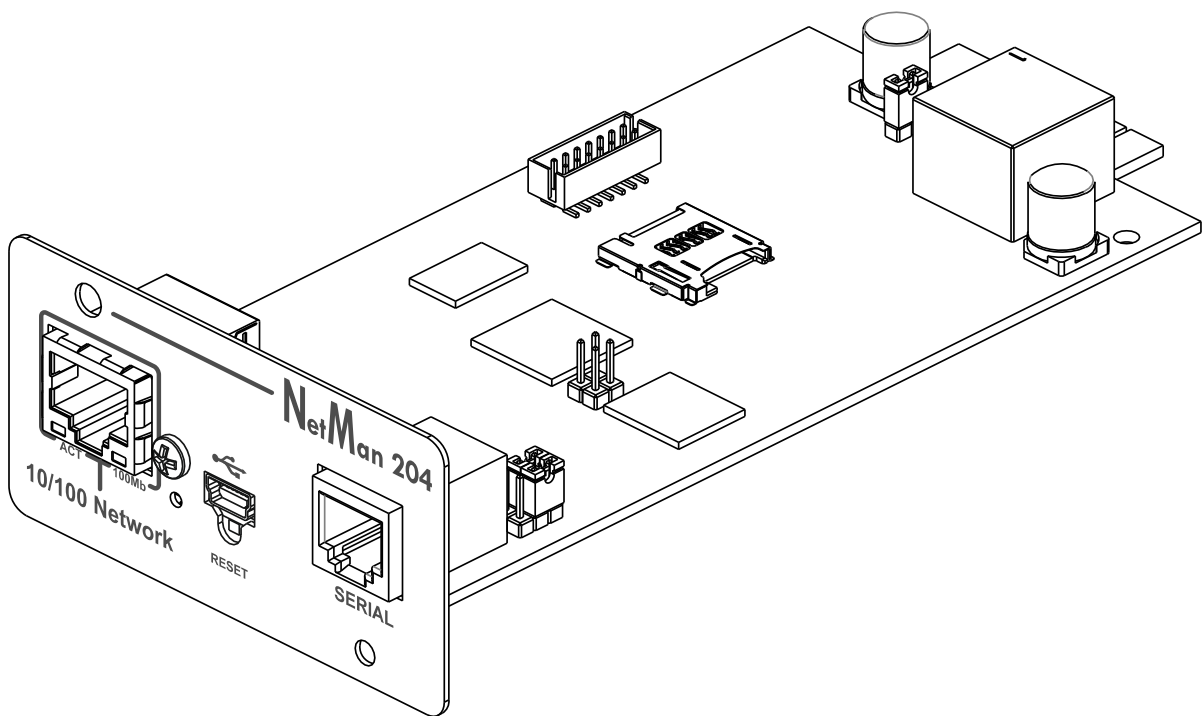


NETMAN 204

NETWORK ADAPTER



INSTALLATION AND USER MANUAL

How to upgrade to version 3.15 or higher.

To upgrade to version **3.15 or higher** from version 3.14 or lower you must first upgrade to version 03.14.002 [3560]

This version will prepare the file system to host the new format introduced with the version 3.15

Download both versions from the web site, upgrade first to the version 03.14.002 [3560]

Reboot and wait for about 2 minutes to have Netman 204 updated to 3.14-2

ADMINISTRATION

DEVICE COMMANDS

ADMINISTRATION

Automatic Check for Updates

Firmware upgrade

Reset to defaults

Reset Log

Reset Riello Connect

Reboot

Change local password

Login access

Application version 03.14.002 [3560]

UPLOAD A FIRMWARE COMPATIBLE WITH SYSTEM VERSION S19-2

Drag & drop here your firmware file

Press CTRL-F5 to clean the page cache.

Upload to version 3.15 or higher, please note the new extension type .rc204

ADMINISTRATION

DEVICE COMMANDS

ADMINISTRATION

Automatic Check for Updates

Firmware upgrade

Reset to defaults

Reset Log

Reset Riello Connect

Reboot

Change local password

Login access

Application version 03.15.004 [b0c6]

UPLOAD A FIRMWARE COMPATIBLE WITH SYSTEM VERSION S19-2

Drag & drop here your firmware file

Reboot and wait for about 2 minutes to have Netman 204 fully updated.